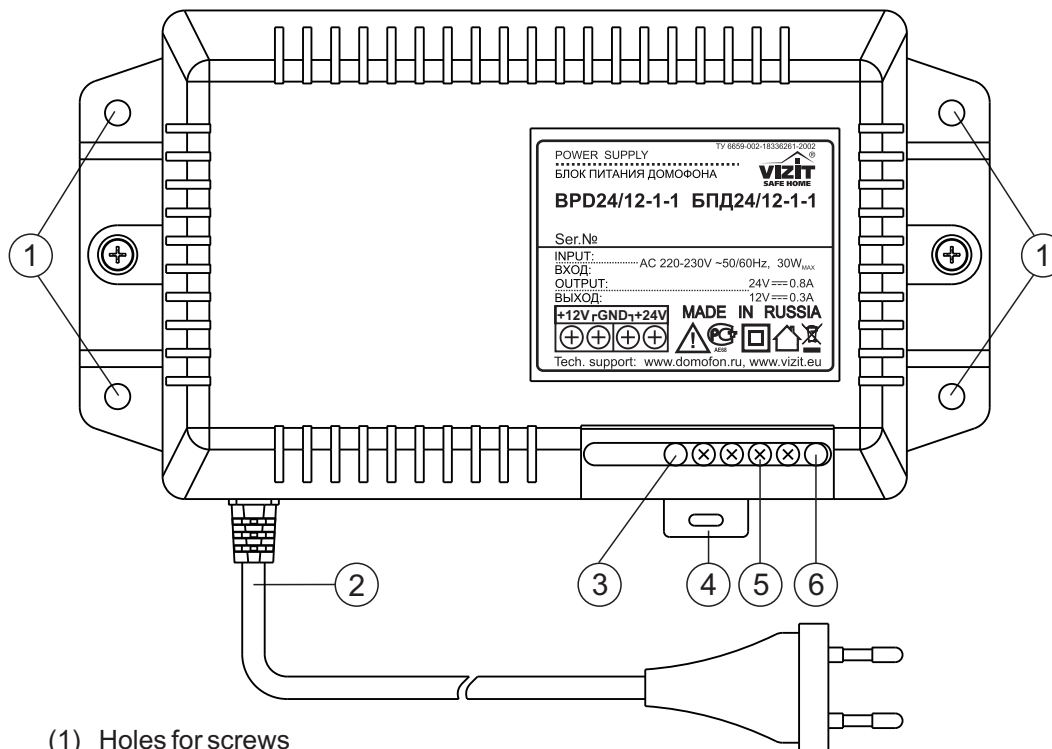


OPERATING INSTRUCTION

Power Supply Unit **BPD24/12-1-1** (the Unit hereinafter) is a two-channel power source with regulated output voltages **+24 VDC** and **+12 VDC**, and common ground terminals **GND**.

The Unit is intended for operation within **VIZIT** video doorphones. The output **+12V** is used to power an outdoor camera, the output **+24V** supplies power to a group of video monitors **VIZIT** with no built-in power source.



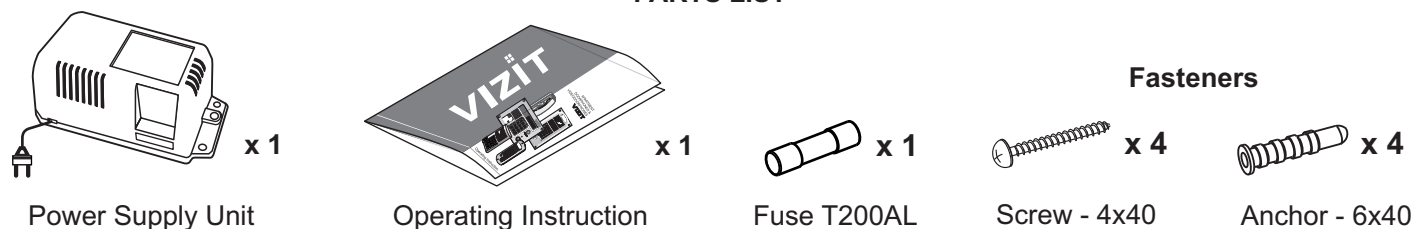
- (1) Holes for screws
- (2) Mains cord
- (3) 12VDC output voltage LED
- (4) Holder for fixing the Unit on a DIN-rail
- (5) 12VDC and 24VDC output voltage terminals
- (6) 24VDC output voltage LED

Power Supply Unit BPD24/12-1-1 appearance

FEATURES

- Over-current, short-circuit, over-heat protection
- Power LED indicators

PARTS LIST



SAFETY INSTRUCTIONS

WARNING! The unit contains dangerous for life high voltage - **230V**.

Unplug the unit before replacing the fuse and connecting the wires. To avoid damage or electric shock, do not make any repair when the power is on.

The mains plug shall remain readily operable.

No metallic objects shall penetrate into ventilation openings of the unit. The unit shall not be exposed to dripping or splashing and no objects filled with liquids shall be placed on the unit.

INSTALLATION

For qualified installation, wiring and servicing refer to technical and commercial partners of VIZIT TM. The list of companies is given on VIZIT.EU (<http://vizit.eu/eurounion/>).

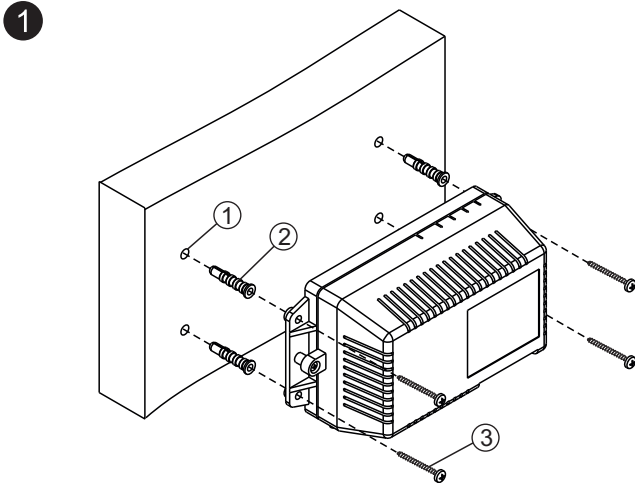
The Unit shall be installed in heated premises with sufficient ventilation and securely fixed to a wall, or inside the Mounting Box VIZIT.

Output terminals shall be oriented horizontally.

Such conditions provide proper ventilation of the unit.

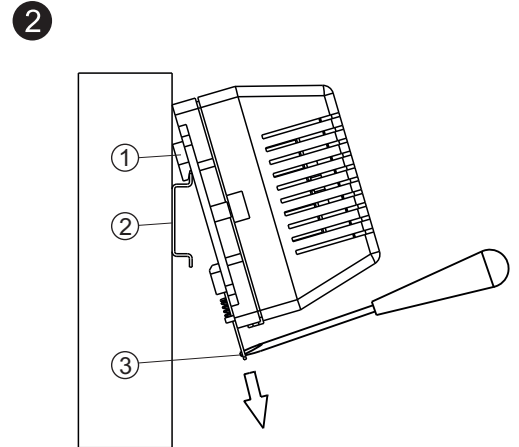
WARNING! Do not mount the Unit near heating equipment! Make sure that no objects prevent proper ventilation of the Unit, and the Unit's ventilation openings are not covered or blocked.

The Unit is fixed either with a springing clip to a DIN-rail (35 mm x 1-2 mm), or with screws (supplied).



- Drill 4 holes (1) in a wall, with diameter 6 mm and depth 40 mm.
 - Drive anchors (2) into the holes.
 - Attach the Unit to the wall and fasten 4 screws (3) in the anchors.
- Note. Anchors and screws are supplied.

BPD24/12-1-1 mounting on a wall

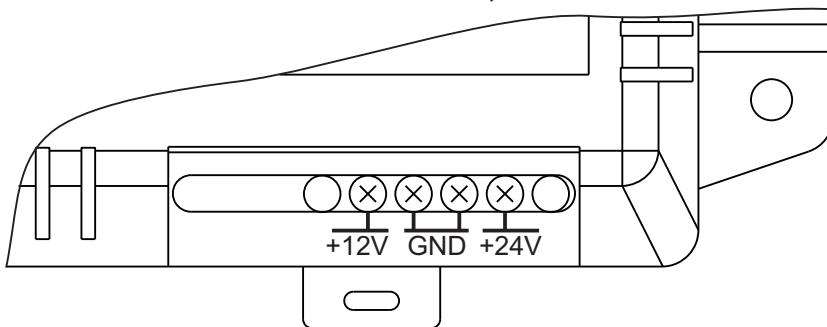


- (1) - Bosses on the Unit's base
- (2) - DIN-rail with width 35 mm and depth 1-2 mm
- (3) - Holder for fixing

BPD24/12-1-1 mounting on a DIN-rail

CONNECTIONS

Cables are connected to the Unit's output terminals.



Terminals names and destinations

Terminal	Destination
+12V	12VDC output voltage
GND	
GND	24VDC output voltage
+24V	

SPECIFICATIONS

Output voltage at +24V	+24 ± 2 VDC
Output load current at +24V , max.	0.8 A
Output voltage at +12V	+12 ± 0.6 VDC
Output load current at +12V , max.	0.3 A
Ripple voltage, max.	10 mV
Input voltage range at 50Hz	230 ± 23 VAC
Power consumption, max.	30 W
Dimensions (W)x(H)x(D)	165 x 90 x 60 mm
Weight	1.1 kg

OPERATING CONDITIONS

Ambient temperature range	+1°C to +40°C
Relative humidity of air	up to 93% at +25°C