

**MOUNTING KIT FOR DOORSTATION
MK-405**

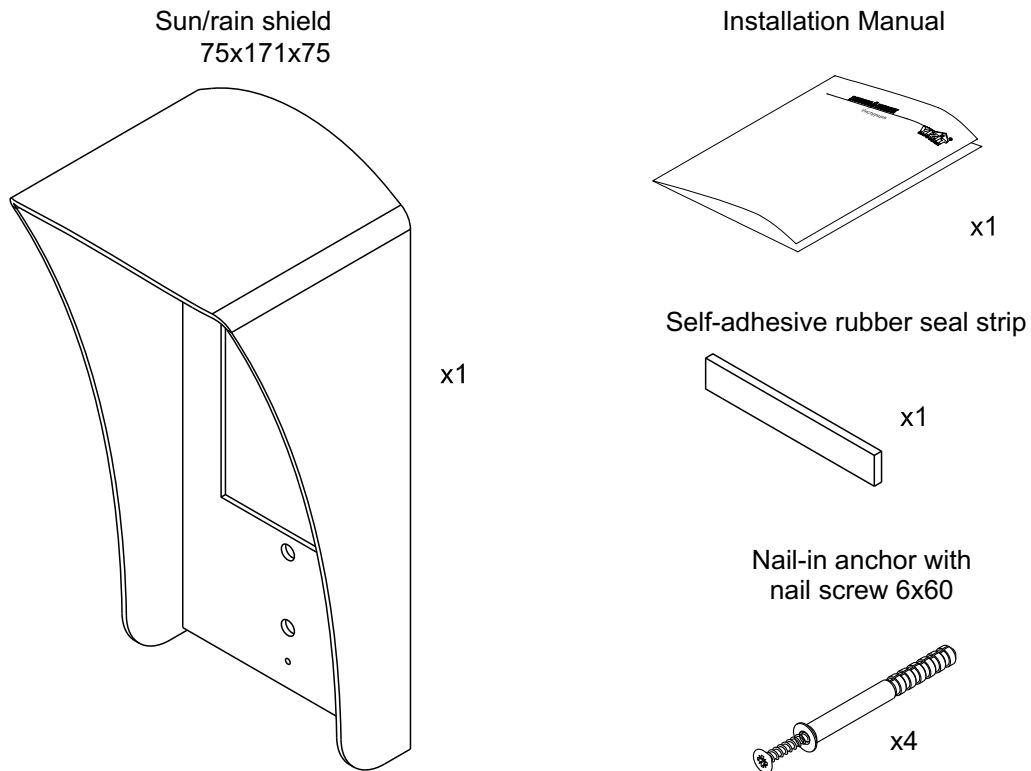
OPERATING INSTRUCTION



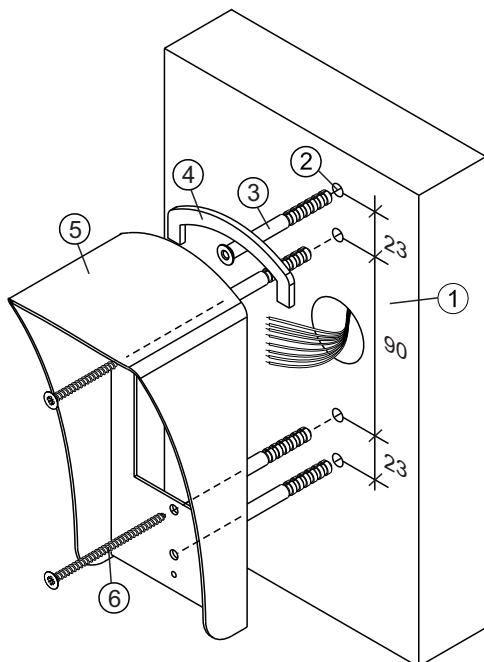
Mounting Kit **MK-405** protects doorstations BVD-405x / BVD-403x intended for operation in VIZIT doorphones / video doorphones from sun, rain and snow.

The Mounting Kit has a vandal-proof design.
Weight - 0,38 kg.

PARTS LIST



INSTALLATION WITH BVD-403x



**Sun/rain shield mounting
on a wall**

- ① Put marks for holes on a wall. Use measurements given on Fig.1, or attach the sun/rain shield to the wall and use its holes as a pattern.
- ② Drill holes (x4) 6 mm in diameter and 60 mm deep.
- ③ Hammer in anchors 6x60 (x4).
- ④ Stick self-adhesive rubber seal strip to the back of the sun/rain shield.
- ⑤ Attach the sun/rain shield to the wall. Make sure that its holes match the anchors in the wall.
- ⑥ Drive in nail screws (x2) to securely fix the sun/rain shield to the wall.

Figure 1

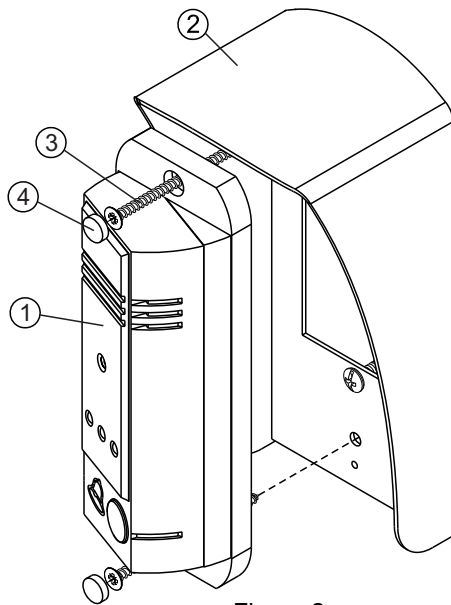


Figure 2

Doorstation BVD-403x fixing to the sun/rain shield

- ① Fasten the doorstation BVD-403x to the skew base as described in its operating instruction.
- ② Attach assembled BVD-403x to the sun/rain shield. Make sure that their holes match.
- ③ Drive in nail screws (x2) to securely fix BVD-403x to the sun/rain shield.
- ④ Drive in gags (x2, supplied with the doorstation) to cover screw heads.

INSTALLATION WITH BVD-405x

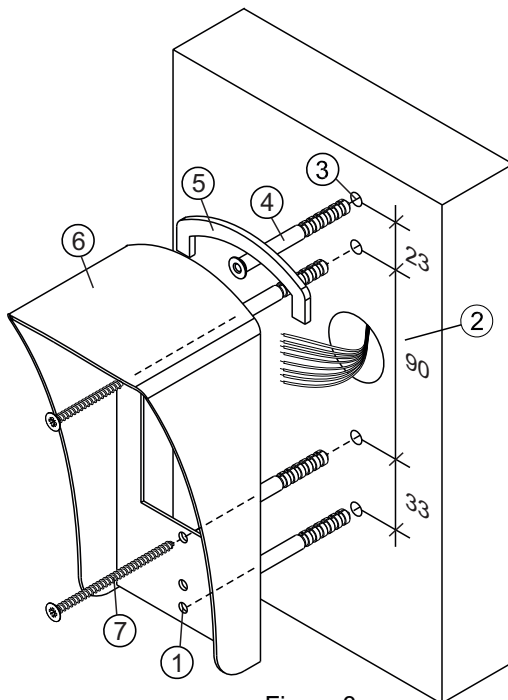


Figure 3

Sun/rain shield mounting on a wall

- ① Drill a hole \varnothing 4.5 mm over a special mark in the sun/rain shield.
- ② Put marks for holes on a wall. Use measurements given on Fig.3, or attach the sun/rain shield to the wall and use its holes as a pattern (and make sure that use the newly drilled hole ①).
- ③ Drill holes (x4) 6 mm in diameter and 60 mm deep.
- ④ Hammer in anchors 6x60 (x4).
- ⑤ Stick self-adhesive rubber seal strip to the back of the sun/rain shield.
- ⑥ Attach the sun/rain shield to the wall. Make sure that its holes match the anchors in the wall.
- ⑦ Drive in nail screws (x2) to securely fix the sun/rain shield to the wall.

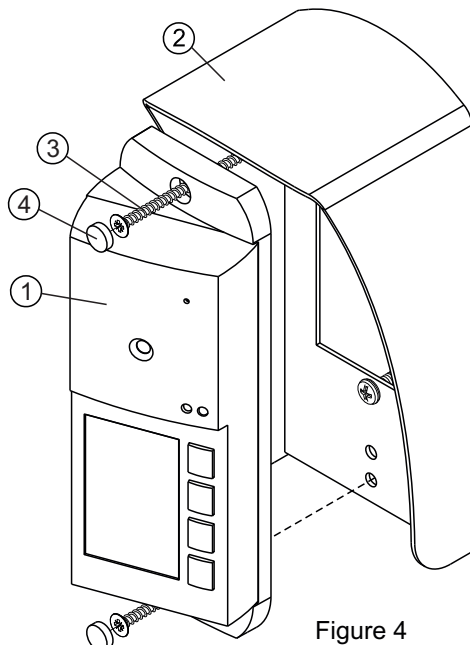


Figure 4

Doorstation BVD-405x fixing to the sun/rain shield

- ① Fasten the doorstation BVD-405x to the skew base as described in its operating instruction.
- ② Attach assembled BVD-405x to the sun/rain shield. Make sure that their holes match.
- ③ Drive in nail screws (x2) to securely fix BVD-405x to the sun/rain shield.
- ④ Drive in gags (x2, supplied with the doorstation) to cover screw heads.